

Saalasti Press M

The reliable bark press



Saalasti Press machines are used to dewater all types of bark and hog fuel ranging from South American Eucalyptus to Scandinavian Spruce and Canadian Western Red Cedar. The four presses shown above are model type SP1615M that is very suitable for dry, tough bark like eucalyptus.

Economical bark pressing

About 170 Saalasti Press machines have been delivered to mills around the world. The M-series Saalasti Press machines have powerful twin screw feeders and are better suited for larger bark flows than the basic models.

Long lasting

Previously delivered Saalasti Press 1620 and 1615 model presses continue to be in use even though

many are 20 years old. The press is rugged and has large allowances for wear.

Service

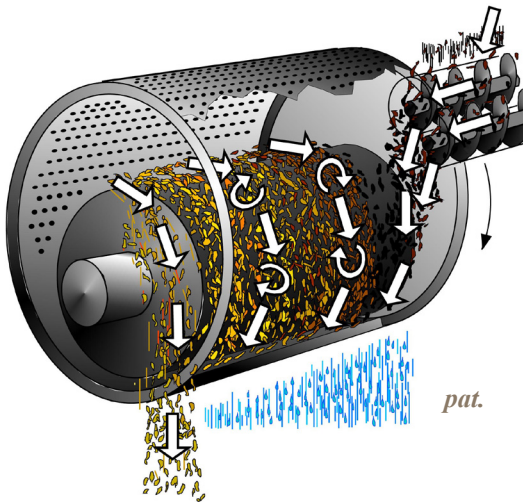
Standard Saalasti Press machines are typically shut down once or twice per year for inspection and adjustment. In normal pulp mill use with relatively wet bark, the wear parts are changed at long intervals. All services can be performed by the mill or by Saalasti's support and service teams.

Saalasti Oy

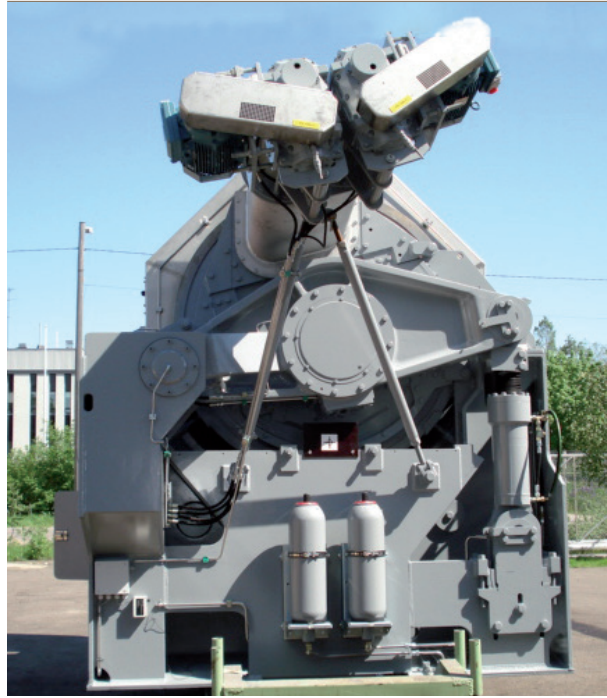
Juvan teollisuuskatu 28, 02920 Espoo, Finland
Tel (sales) +358-9-25115555 (office) +358-9-2511550
sales@saalasti.fi, info@saalasti.fi, www.saalasti.fi

SAALASTI 

Technical data

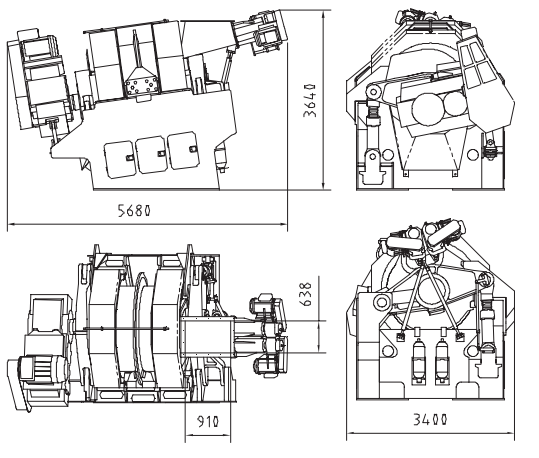


Operation Principle. Hog fuel is dewatered between a declined, perforated drum, and a press roll revolving inside the drum and travelling at the same peripheral speed. Feed screws feed the material into the press where it is pressed and remixed several times. The hog fuel becomes drier after each pressing. The effluent flows through the outwardly conical drilled holes in the drum. The pressed hog fuel constitutes dry, homogeneous fuel.

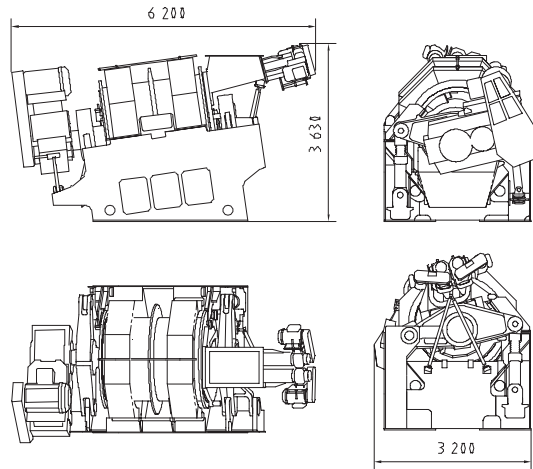


M-model presses have bigger infeed unit and better service access.

Saalasti Press 1615 M



Saalasti Press 1620 M



Saalasti Press model

SP1615M

SP1620M

Drum diameter x length	mm	1600 x 1500	1600 x 2000
Length x width x height, overall	mm	5680 x 3400 x 3640	6200 x 3200 x 3630
Frame length x width	mm	2555 x 3000	3160 x 3000
Infeed opening width x length	mm	638 x 910	638 x 1000
Outfeed opening width	mm	1100	1155
Overall weight	tn	50	55
Motor power, main motor	kW / 1500 rpm	75	75
Motor power, infeed unit motor	kW / 1000 rpm	7,5-11	11-15
Production	m ³ , loose vol/h	80	80

Saalasti Oy

Juvan teollisuuskatu 28, 02920 Espoo, Finland
Tel (sales) +358-9-25115555 (office) +358-9-2511550
sales@saalasti.fi, info@saalasti.fi, www.saalasti.fi

SAALASTI